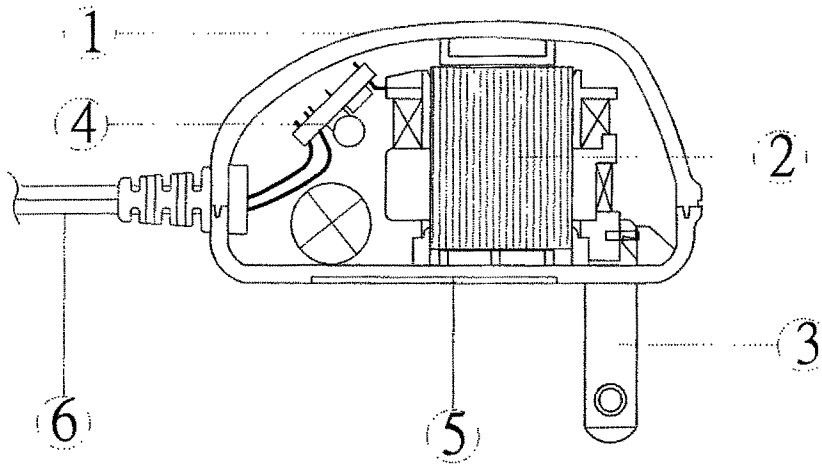


TEST DATA

ITEM	SPEC	SAMPLE									
		1	2	3	4	5	6	7	8	9	10
Primary Exciting Current Input 120 VAC ,60 Hz	75 mA max	33	40	36							
Primary Load Current Input 120 VAC ,60 Hz	120 mA max	97	100	98							
Secondary No Load DC Voltage	16.8V ±5%	16.83	16.78	16.77							
Secondary DC Voltage Load 500 mA	12V ±5%	12.1	12.07	12.1							
Secondary Voltage Load mA	V ± %										
Secondary Voltage Load mA	V ± %										
Secondary Voltage Load mA	V ± %										
Secondary Voltage Load mA	V ± %										
Ripple Voltage Load 500 mA (PK-PK)	3V max	2.1	2.1	2.1							
Hi-Pot Test 3 mA for 3Sec.	Pri. to Sec.	2K VAC	OK	OK	OK						
	Pri. to Core	2K VAC	OK	OK	OK						
	Sec. to Core	1.5K VAC	OK	OK	OK						
Temperature Rise: 70°C MAX measured By Resistance Method (Primary Winding)											
Core Film: SPLIT						Core : EI-35					
Testing Circuit:		1000uF/25V				Output Plug Drawing: PLUG: 3.5*14mm					
Output conductor length: 6FT min (AWG#22)											
Input conductor length: FT min (AWG#)											
<p>(V)</p> <p style="text-align: center;">Characteristic Curve</p> <p style="text-align: right;">(mA)</p>											

AC Adaptor Specifications

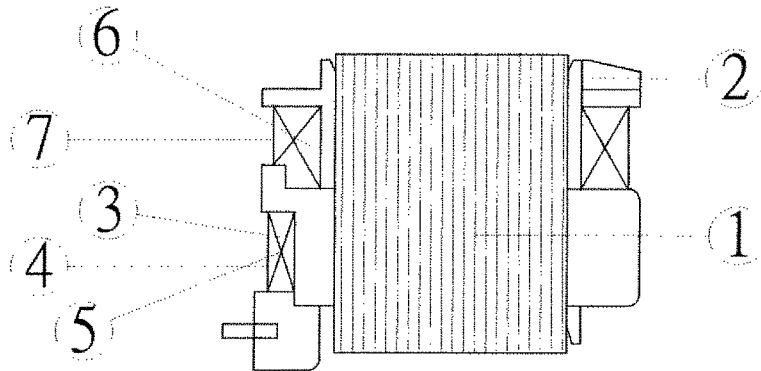
Internal Construction Drawing and Parts List (Unit: Set or EA)



Part Name	Specification	Q'ty
1. Enclosure	Noryl SE1 94V-1 105°C	
	Noryl SE-100 94V-1 95°C	
	Noryl PX1700 94V-1 95°C	
	940(f1) 94V-0 130°C	
2. Transformer	EI-35	1
3. Blade	Ni plated brass	2
4. Print Wiring Board Assembly		
Print Board	04V0 94V-0 130°C	1
	11 94V-0 105°C	
	13 94V-0 130°C	
	BF-3 94V-0 130°C	
Diode	1A 400-700V IN4004-1N4007	4
Capacitor	1000uf 25V 85°C	1
5. Name Plate	Polyester Film	1
6. Output Cord	AWG# 22 6FT min	1

AC Adaptor Specifications

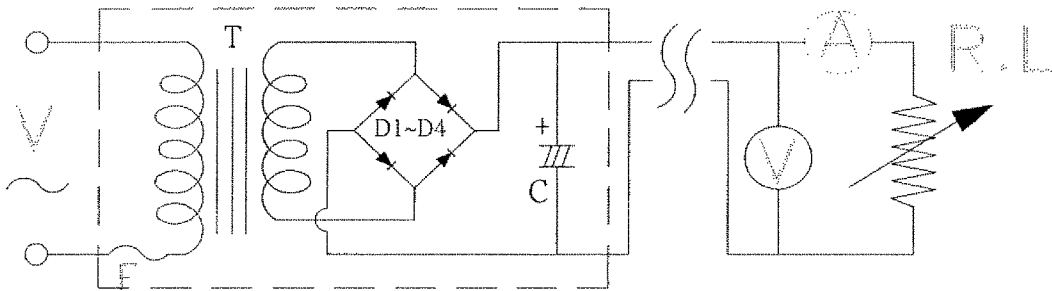
Construction Drawing and Details of Transformer



Part Name	Material & Type	Spec or Q'ty
1. Core	Silicon Steel	0. 5mm
2. Bobbin	Polybutylene Terephthalate	0.71mm
	1403G6	
	PETP(QMFZ2)	
	FR-530, FR530L	
3. Primary Winding	Nylon 101L	mm turn ohm
	Polyurethane Enameled Copper wire	
4. Primary Outer Winding	Mylar Tape	0.025mmx2T
5. Thermal Fuse	M30 2A 125°C 250V AC	1PC
6. Secondary Winding	Polyurethane Enameled Copper Wire	mm turn ohm
7. Secondary Outer Winding	Mylar Tape	0.025mmx2T

AC Adaptor Specifications

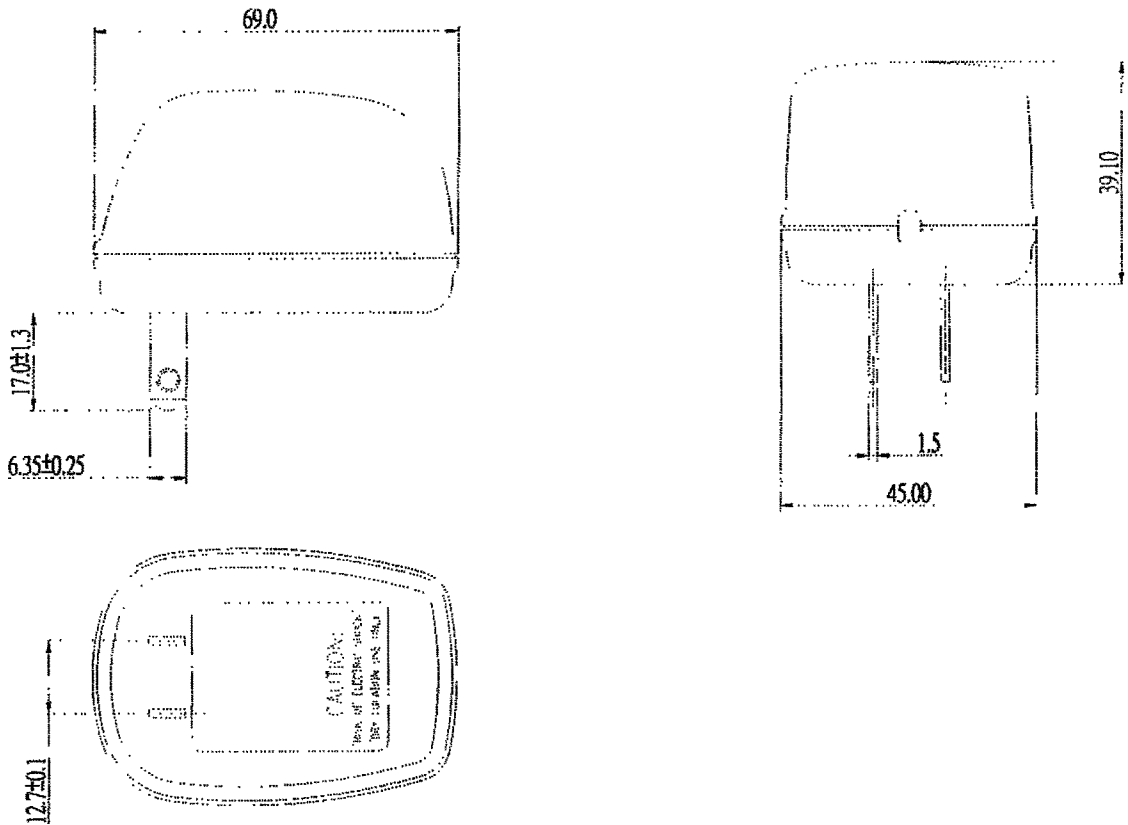
Circuit Diagram



Symbol	Part Name	Note
T	Transformer	EI-35
D(1~4)	Diode	1A 400-700V 1N4004-1N4007
C	Capacitor	1000uF 25V 85°C
F	Thermal	125°C 2A 250V

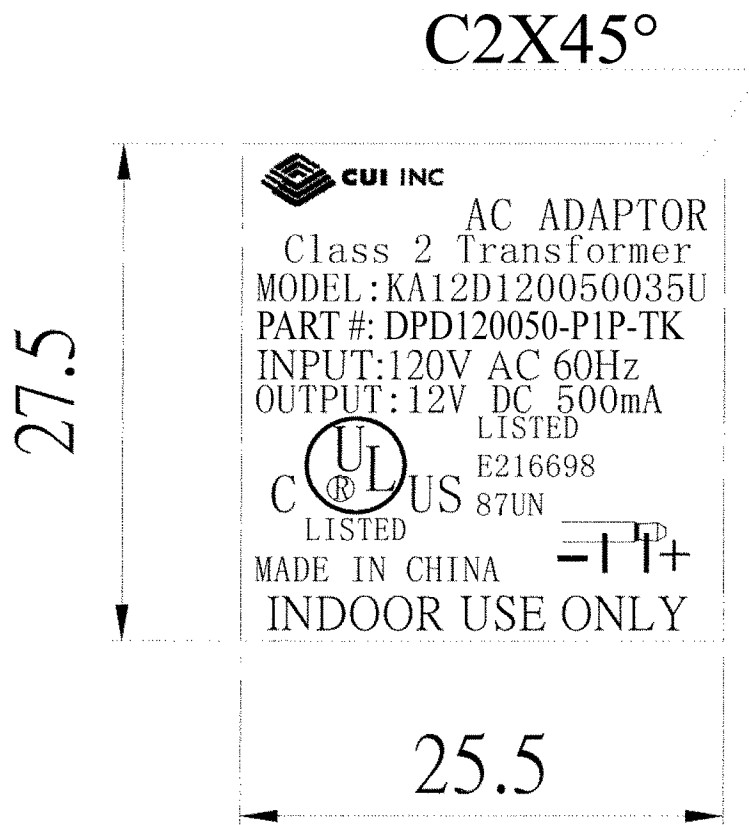
AC Adaptor Specifications

Appearance Drawing (Unit:mm)



AC Adaptor Specifications

Dimension of Nameplate (Unit:mm)



Material: Polyester Film T: 0.25mm